

INSTRUMENT

Ball Valves VB3



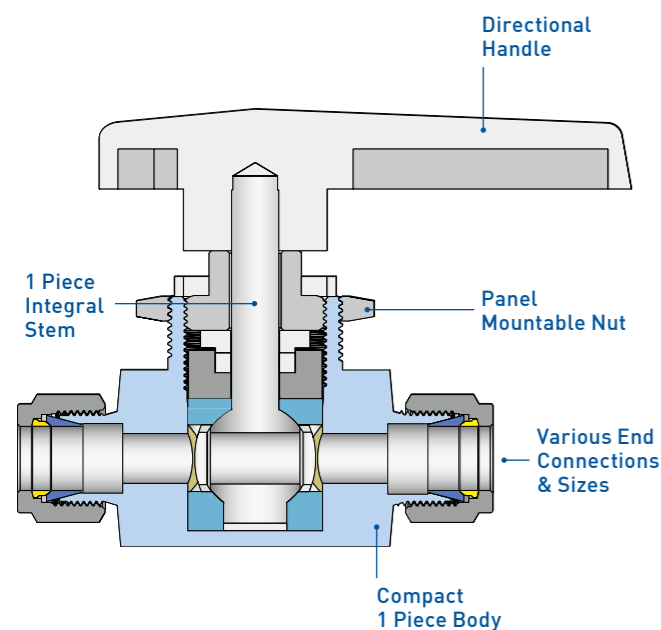
Ball Valves VB3

CONTENTS

Features	128	How To Order	129
Application	128	VB3 series	130
Testing	128	VB3X series	131
Cleaning	128	VB3C series	132
Important Notification	128	VB3CA series	133
Materials of Construction	129		

Features

- Pressure rating with standard PTFE seats 3000psig (206bar) only for the valves with orifice 4.8 2500psig (172bar) for the other valves
- Temperature rating from 10 °C(50 °F) to 65 °C(150 °F) with standard PTFE packing
- Compact designed one piece body to reduce space and possible leak point
- One piece integral ball stem to eliminate backlash and to encapsulate ball seats perfectly
- Panel mounting for easy installation
- Wide choice of end connections : UNILOK tube fittings, Female NPT or ISO7/1(PT) thread
- 2 way shut off valves and 3 way switching valves are available



Application

VB3, VB3X series ball valves with lowest dead volume is required in analytical purpose to prevent fluid entrapment which can cause contamination.

Sour Environment Services

UNILOK valves are comply with NACE MR-0175/ISO 15156 for sour oilfield application or NACE MR-0103 for petroleum refining operations.

To order, add-N to the end of part number.

Testing

Every valve is 100% factory tested with air and nitrogen at 1000psig(69bar) for leakage at the seat and packing. Each test is performed to a maximum allowable leak rate of 0.1scc/min.

Cleaning

UNILOK valves are free from machine oils, loose particles and grease throughout the close cleaning process.

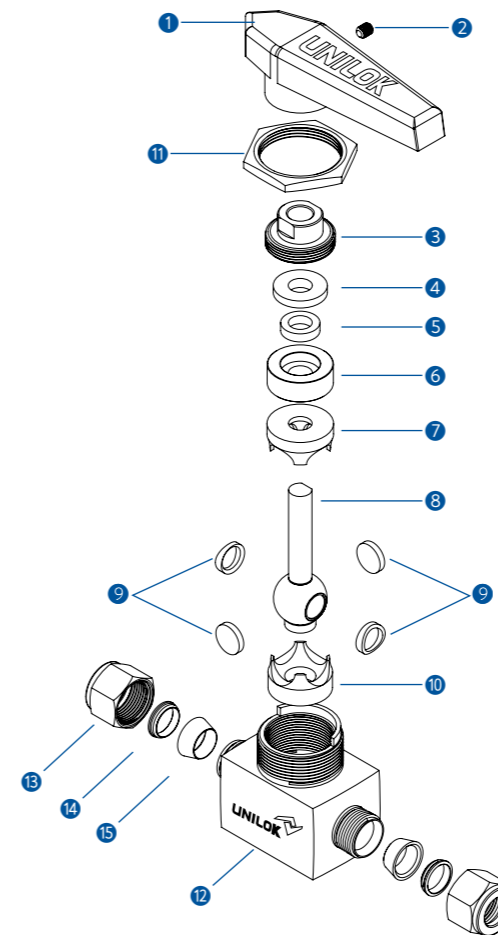
The special cleaning for high purity application is available upon request.

Important Notification

UNILOK ball valves are designed to be operated in a fully open or fully closed position.

The packing adjustment may be required during the valve's service life.

Proper installation, materials compatibility, operation and maintenance of these valves are the responsibility of the user. The total system design must be taken into consideration to ensure optimal performance and safety.



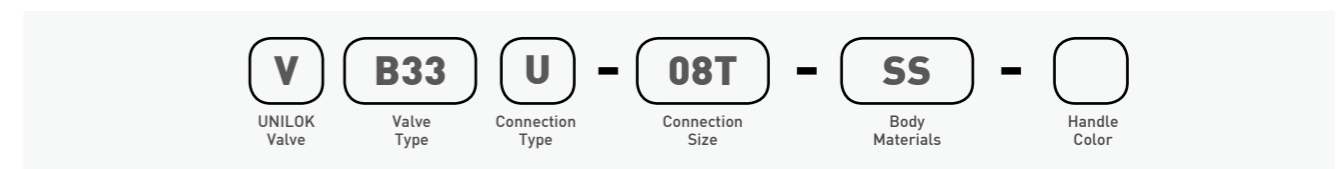
Materials of Construction

No.	Description	Materials	
		316SS	Brass
Body Material			
1	Handle	Nylon	
2	Set Screw	304SS	
3	Packing Bolt	316SS	Brass
4	Upper Gland	316 SS	
5	Lower Bushing	PTFE	
6	Lower Gland	316SS	
7	Upper Packing	PTFE	
8	Ball Stem	316 SS	
9	Side Disk	316 SS	
10	Lower Packing	PTFE	
11	Panel Nut	304SS	Brass
12	Body	316SS	Brass
13	Nut	316SS	Brass
14	Back Ferrule	316SS	Brass
15	Front Ferrule	316SS	Brass

How To Order

UNILOK VB3 series ball valves are ordered by part number as shown below.

Example: The following part number, **VB33U-08T-SS** is designated for VB3 series ball valve with both 1/2" UNILOK tube fitting, 316SS, PTFE seat.



Valve Type	
B3	2 Way Type
B3X	3 Way Type
B3C	Compact Type, 2 & 3 Way
B3CA	Compact Type, Angle Pattern

Connection Type	
U	UNILOK Tube Fitting
F	Female NPT or ISO7/1(PT)

Connection Size					
Fractional(Inch) Tube O.D. Designation					
Tube O.D.	inch	1/4	3/8	1/2	3/4
	mm	6.35	9.52	12.70	19.05
Designator		04T	06T	08T	12T

Metric Tube O.D. Designation					
Tube O.D.	mm	6	8	10	12
	Designator	M06T	M08T	M10T	M12T

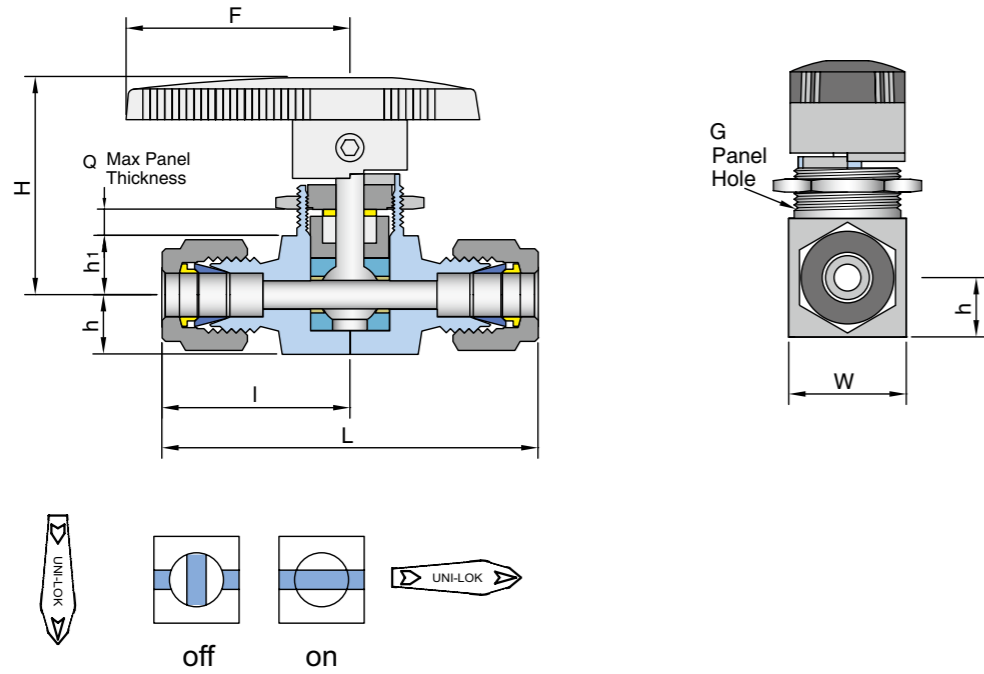
Pipe Size Designation (NPT or ISO7/1-PT)				
Pipe Size	1/8	1/4	3/8	1/2
Designator	02N/R	04N/R	06N/R	08N/R

Body Materials	
SS	316SS
BS	Brass

Colored directional handles are available only for VB3C series, compact type ball valves.

VB3 series

(2 Way, Shut-Off Both UNILOK Tube Fittings or Both Female Threads)



Ordering Information & Dimensions

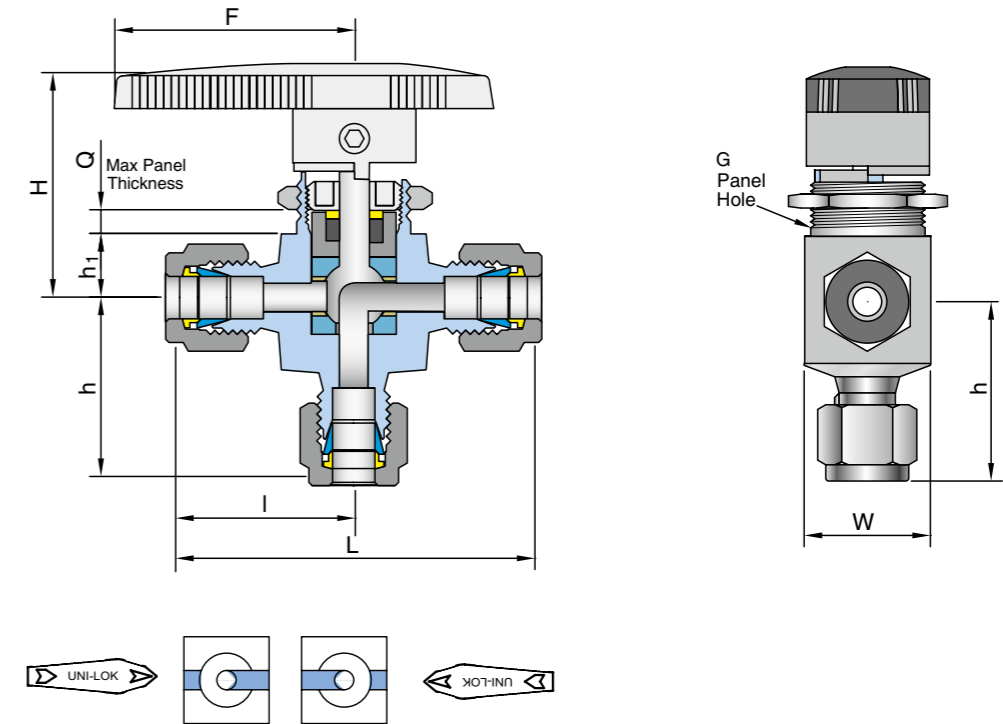
Part No.	End Connections		Orifice	CV	Dimensions (mm)								
	Inlet	Outlet			L	I	h	h1	H	G	Q	W	F
VB31	U-04T-	1/4" UNILOK	4.8	1.4	62.6	31.3	10.0	10.6	39.6	19.8	4.8	19.8	40.0
	U-06T-	3/8" UNILOK		1.5	66.6	33.3							
	U-M06T-	6mm UNILOK		1.4	62.6	31.3							
	U-M08T-	8mm UNILOK		1.5	65	32.5							
	F-02N-	1/8" Female NPT		1.2	50.8	25.4							
F-04N-	1/4" Female NPT	0.9	52.4	26.2									
VB32	U-06T-	3/8" UNILOK	7.1	6.0	77.6	38.8	14.2	14.2	52.8	28.0	9.0	28.4	50.8
	U-M10T-	10mm UNILOK		6.0	77.8	38.9							
	F-04N-	1/4" Female NPT		3.0	63.6	31.8							
	F-06N-	3/8" Female NPT		2.6	63.6	31.8							
VB33	U-08T-	1/2" UNILOK	10.3	12.0	98.6	49.3	18.0	17.5	61.9	38.1	9.4	38.1	76.2
	U-12T-	3/4" UNILOK		6.4	99.2	49.6							
	U-M12T-	12mm UNILOK		12.0	98.8	49.4							
	U-M20T-	20mm UNILOK		6.4	100.0	50.0							
	F-08N-	1/2" Female NPT		6.3	80.0	40.0							

Female ISO7/1 Tapered Threads (PT) are available for all fractional sizes of VB3F series valves. Add "R" as a suffix instead of "N".

Dimensions are for reference only and are subject to change without prior notice.

VB3X series

(3 Way, Switching UNILOK Tube Fittings or Female Threads)



Ordering Information & Dimensions

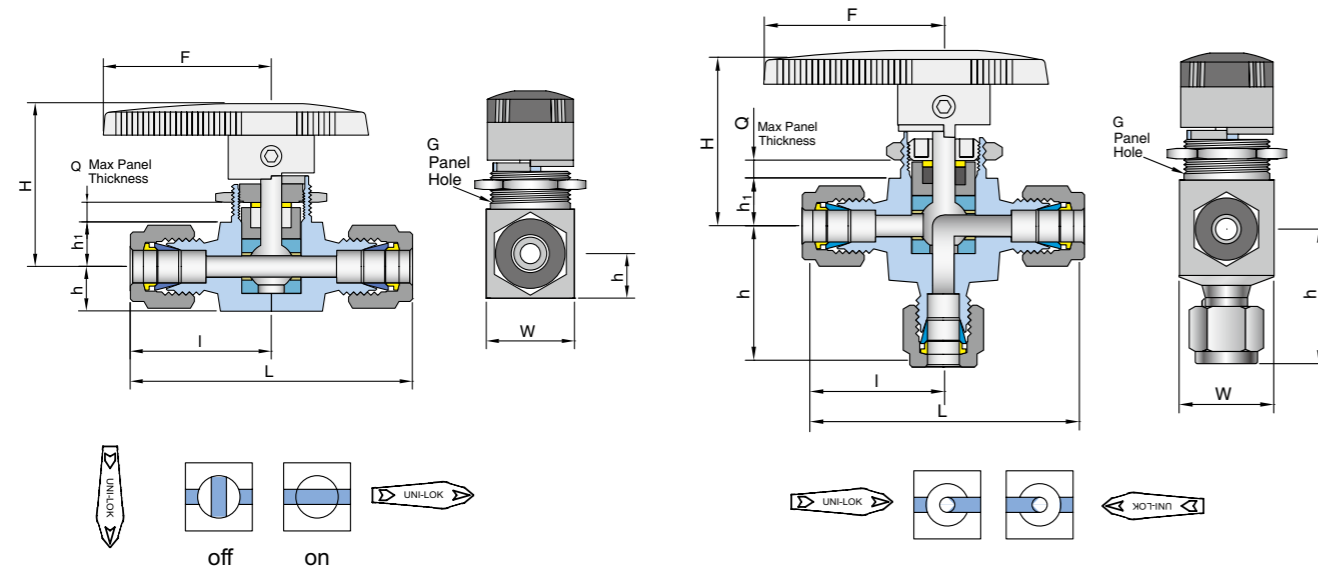
Part No.	End Connections		Orifice	CV	Dimensions (mm)								
	Inlet	Outlet			L	I	h	h1	H	G	Q	W	F
VB3X1	U-04T-	1/4" UNILOK	4.8	0.90	59.8	29.9	10.6	39.6	19.8	4.8	19.8	40.0	
	U-M06T-	6mm UNILOK		0.90	59.8	29.9							29.9
	U-M08T-	8mm UNILOK		0.80	62.6	31.3							31.2
	F-04N-	1/4" Female NPT		0.75	52.4	26.2							26.2
VB3X2	U-06T-	3/8" UNILOK	7.1	2.00	73.4	36.7	14.2	52.8	28.0	9.0	28.4	50.8	
	U-M10T-	10mm UNILOK		2.00	73.2	36.6							35.8
	F-04N-	1/4" Female NPT		1.70	63.6	31.8							31.8
	F-06N-	3/8" Female NPT		1.50	63.6	31.8							31.8
VB3X3	U-08T-	1/2" UNILOK	10.3	4.60	88.0	44.0	17.5	61.9	38.1	9.4	38.1	76.2	
	U-M12T-	12mm UNILOK		4.80	88.0	44.0							44.0
	F-08N-	1/2" Female NPT		3.50	79.2	39.6							39.6

Female ISO7/1 Tapered Threads (PT) are available for all fractional sizes of VB3XF series valves. Add "R" as a suffix instead of "N".

Dimensions are for reference only and are subject to change without prior notice.

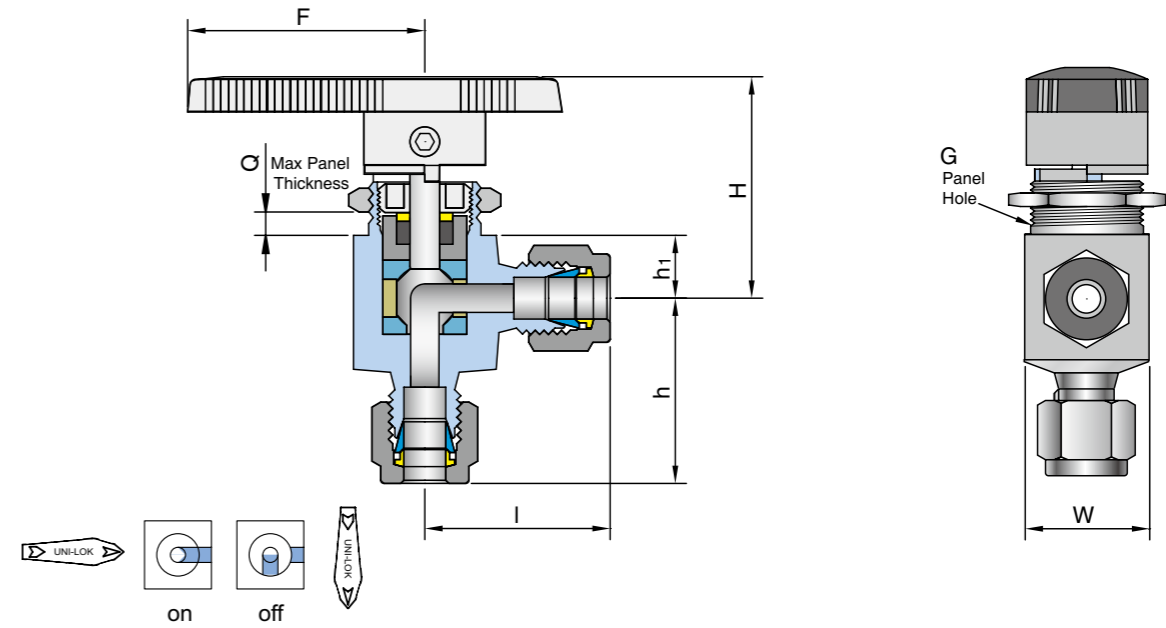
VB3C series

(Compact Type Ball Valve 2 Way, Shut Off & 3 Way, Switching)



VB3CA series

(Compact Type Ball Valve Angle Pattern)



Ordering Information & Dimensions

Part No.	End Connection		Orifice	CV	Dimensions (mm)								
	Inlet	Outlet			L	I	h	h ₁	H	G	Q	W	F
2 Way													
VB3CU-02T-	1/8" UNILOK		2.3	0.2	51.0	25.5	8.8	8.8	34.0	15.0	4.8	17.0	28.0
VB3CU-M03T-	3mm UNILOK			0.2	50.8	25.4							
VB3CU-04T-	1/4" UNILOK		0.6	55.4	27.7								
VB3CU-M06T-	6mm UNILOK		3.2	0.6	55.4	27.7							
VB3CF-02N-	1/8" Female NPT			0.5	41.2	20.6							
3 Way													
VB3CXU-02T-	1/8" Female NPT		2.3	0.15	51.0	25.5	8.8	34.0	15.0	4.8	17.0	28.0	
VB3CXU-M03T-	3mm Female NPT				50.8	25.4							25.4
VB3CXU-04T-	1/4" UNILOK		55.4	27.7	26.7								
VB3CXU-M06T-	6mm UNILOK		3.2	0.35	55.4	27.7							26.7
VB3CXF-02N-	1/8" Female NPT				41.2	20.6							19.6

Female ISO7/1 Tapered Threads (PT) are available for all fractional sizes of VB3CF and VB3CXF series valves. Add "R" as a suffix instead of "N".

Dimensions are for reference only and are subject to change without prior notice.

Ordering Information & Dimensions

Part No.	End Connections		Orifice	CV	Dimensions (mm)							
	Inlet	Outlet			I	h	h ₁	H	G	Q	W	F
VB3CA	U-02T-	1/8" UNILOK	2.3	0.15	25.5	24.8	8.8	34.0	15.0	4.8	17.0	28.0
	U-M03T-	3mm UNILOK			25.4	25.4						
	U-04T-	1/4" UNILOK	3.2	0.35	26.7	26.7						
	U-M06T-	6mm UNILOK			26.7	26.7						
	F-02N-	1/8" Female NPT	20.6	20.6								

Female ISO7/1 Tapered Threads (PT) are available for all fractional sizes of VB3CAF series valves. Add "R" as a suffix instead of "N".

Application

VB3C series valve with compact size, directional indication of flow and high flow capacity are required at sampling system, process instrument, equipment.

Dimensions are for reference only and are subject to change without prior notice.